



LIEYANKEJI

Lieyan Technology

The Bedrock of Innovation



Hydraulic Rock Drilling and Splitting Machine PL1000L

Suitable excavator weight at : 25T-38T



China Hunan Lieyan Technology Co., Ltd.

- 🌐 domestic website: www.lieyankeji.com
- 🌐 international website: www.chnlykj.com
- ✉ E-mail: admin@lieyanglobal.com



WhatsApp



international website



Facebook



TikTok



domestic website



Douyin



WeChat QR Code

Note: This product is constantly updated and improved with technological advancements and is subject to modification without prior notice. The final explanation right of the above content belongs to our company.

2026 First Edition Note: Our company reserves the final right to interpret the upgrading and modification of relevant parameters in the product brochure. Please pay timely attention to the information on our official website.



Widely used in super-hard rock static blast mining ,construction projects, foundation projects, road rock excavation, mining, water conservancy projects, etc.

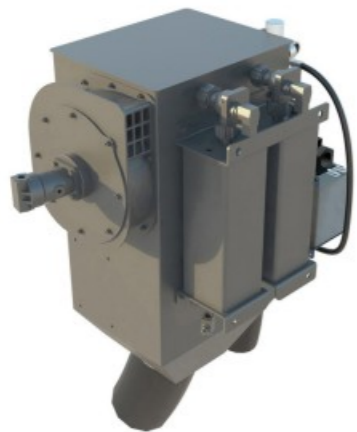
More energy-saving and environmentally friendly

Higher vacuuming efficiency

The screw air compressor drives the hydraulic motor to compress air to form high-pressure gas, which is mainly used in hydraulic rock drilling equipment or other pneumatic devices to provide pneumatic power, slag blowing and dust collection, cleaning and lubrication, etc. Features: low voice, small size, energy saving and environmental protection, stable performance,



Powerful suction, easily handles all kinds of dust and gravel. High-efficiency filtration ensures dust-free quarrying construction. Durable and reliable, suitable for different construction environments and improving production efficiency. Make work easier and more efficiently!



More efficient return

Superior solution for super hard rock

Daily rock production of 1,000 tons

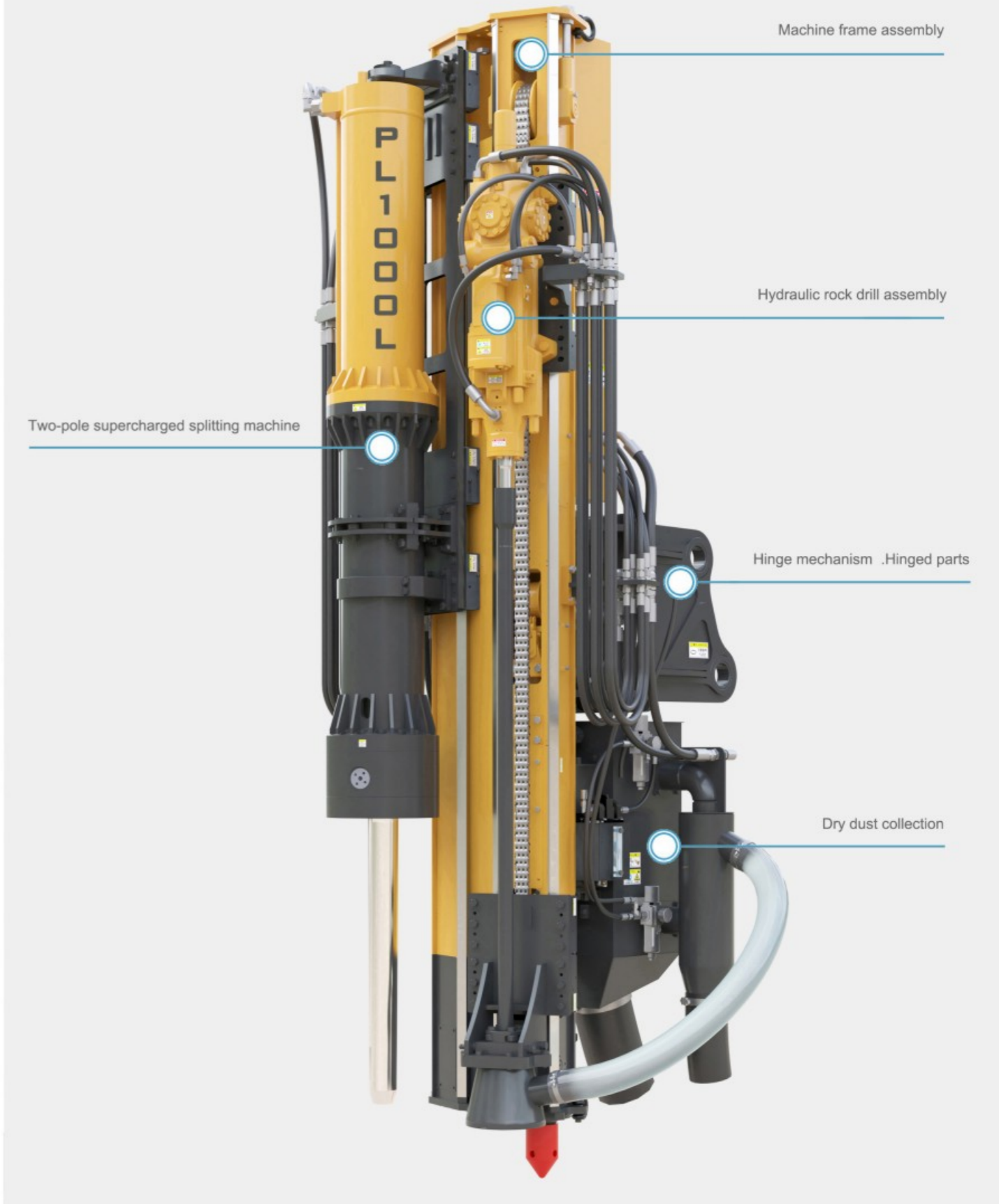
Compared with traditional rock breakers, The hydraulic Rock drilling and splitting machine is twice working efficiency.



Achieve reduced fuel consumption under the same operating efficiency and working condition



Simpler, more stable and more efficient



Machine frame assembly

Hydraulic rock drill assembly

Two-pole supercharged splitting machine

Hinge mechanism .Hinged parts

Dry dust collection



Two-stage supercharging, doubling splitting force

Hydraulic rock drill with efficient and stable performance

Quality guaranteed, durable

Easy to install and flexible to remove

Strong suction, efficient filtration

Precision steel, forging process

Enhanced suction power and efficient dust collection

Stable support, precise positioning

Hydraulic air compressor, stable and reliable



Convenient maintenance

Fastening bolts, nuts

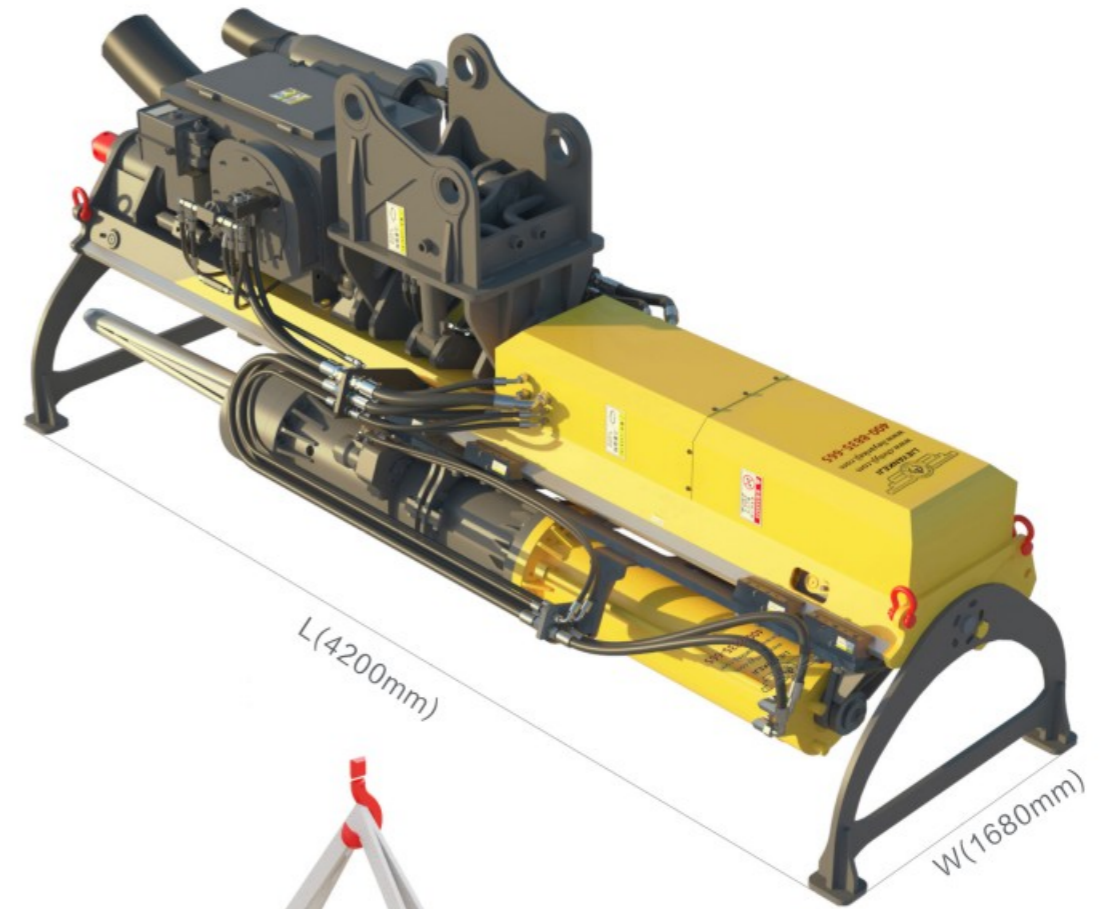
Convenient and fast to do maintenance and repair

Oil mist lubrication inspection of the hydraulic rock drill

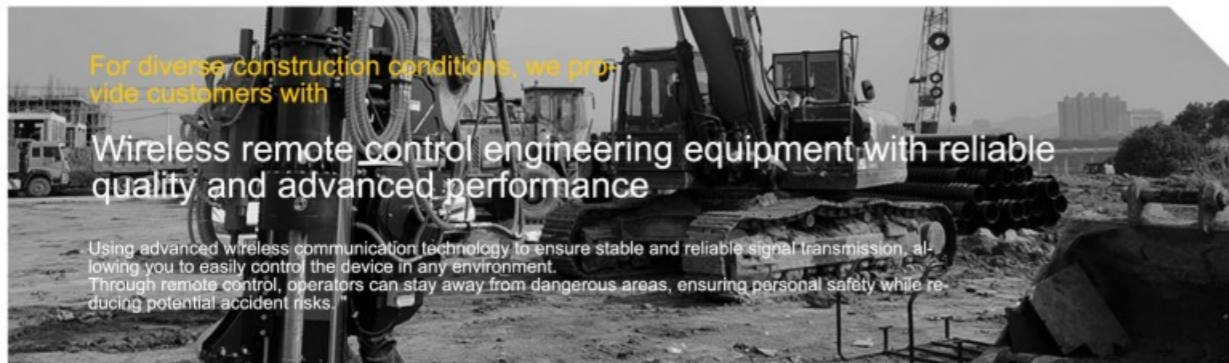
Lubricate the track and chain before starting the machine

Clean the filter element and drain water every four hours

Brush with high temperature resistant grease



LIEYANKEJI



For diverse construction conditions, we provide customers with

Wireless remote control engineering equipment with reliable quality and advanced performance

Using advanced wireless communication technology to ensure stable and reliable signal transmission, allowing you to easily control the device in any environment. Through remote control, operators can stay away from dangerous areas, ensuring personal safety while reducing potential accident risks.

- Wireless transmitter
- Wireless receiver
- Pressure flow control valve
- Action control valve



Lieyan Technology INTELLIGENT SERVICE PLATFORM

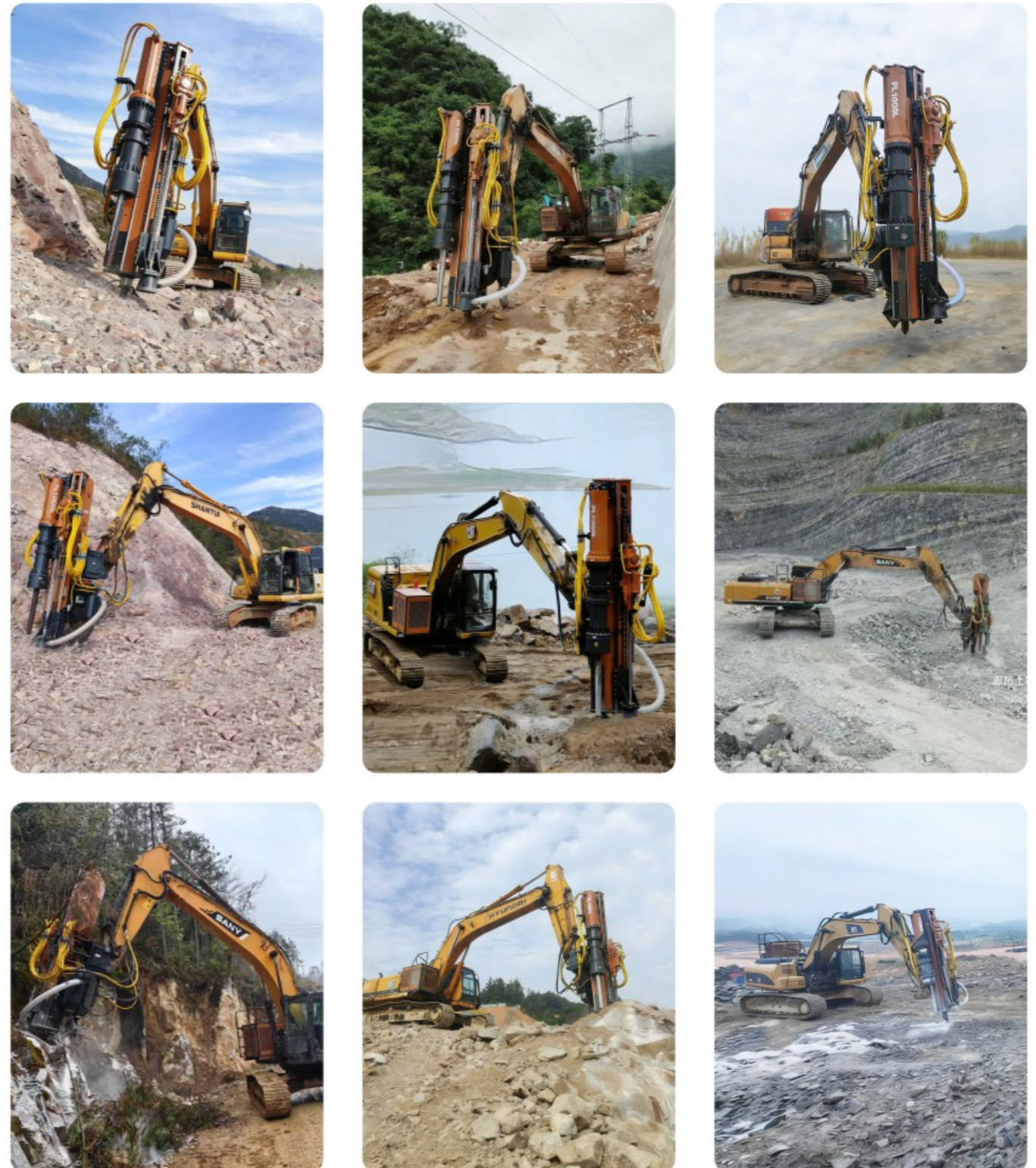
Service model changer

The leader in the rock drilling and splitting machine industry

Lieyan Technology's smart service platform is customer-centered. Based on digital and internet technologies, we provide full-process smart service solutions that meet the diverse needs of users.

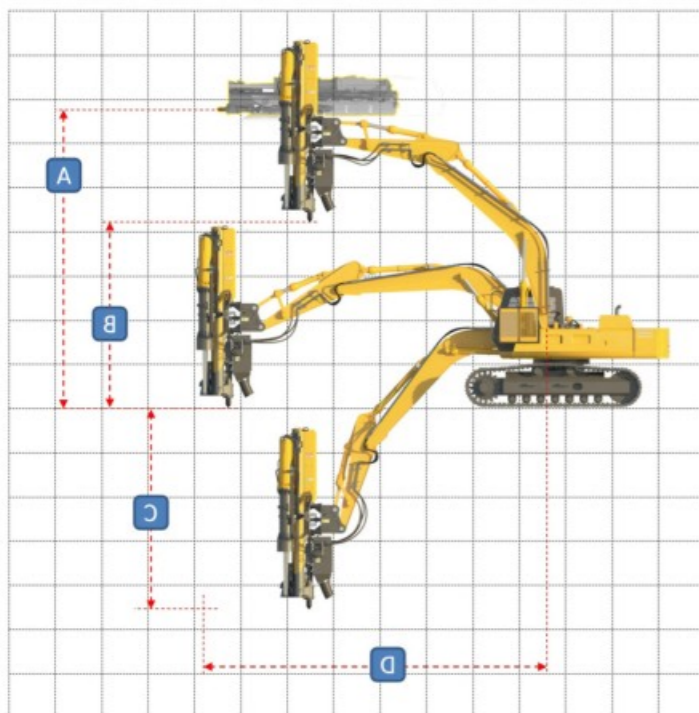


Construction case



Product size parameters

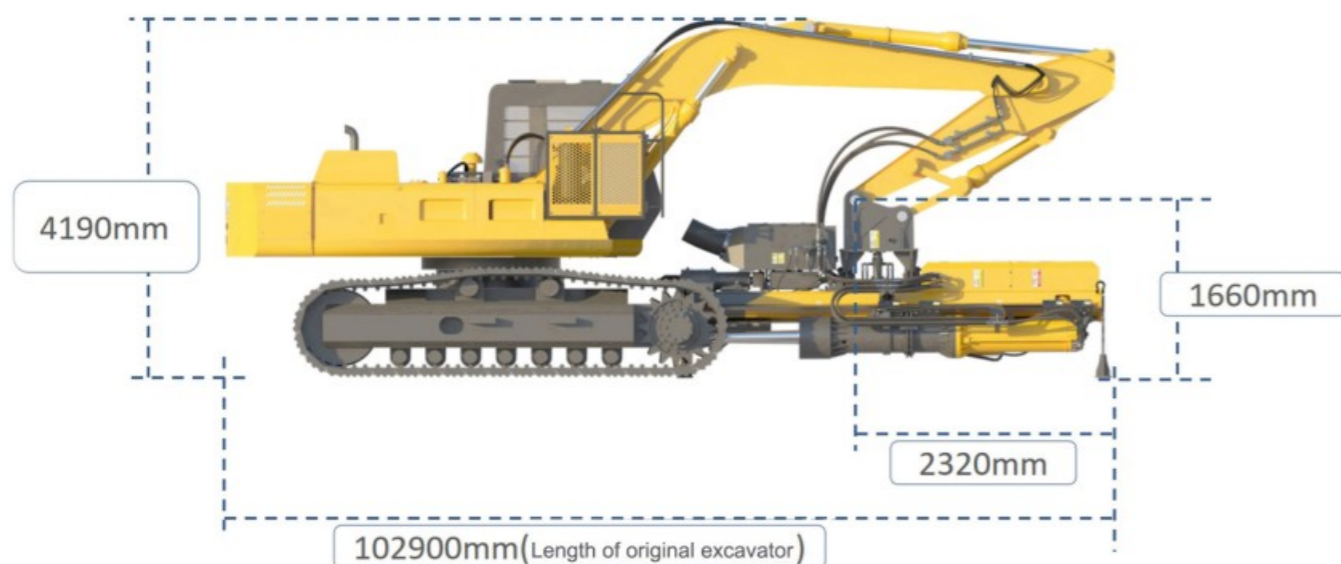
Product model (with XCMG 245 excavator)



The scope of work

A---Maximum horizontal height splitting	mm	9745
B---Maximum vertical height splitting	mm	6715
C---Maximum depth of splitting	mm	6705
D---Maximum distance splitting	mm	10225

Excavator installed PL1000L (transportation dimensions diagram)



Product Specifications

· 凿岩机 Rock Drill

功率Power:	22KW
钻孔孔径 Borehole diameter:	Φ115mm
钻孔深度 Borehole depth:	1600mm
钻孔速度 Borehole speed:	1m/min
工作噪声 Working noise:	符合GB 19872-2005

· 劈裂机 Splitting machine

劈裂深度 Splitting depth:	1000mm
-----------------------	--------

劈裂力(两级增压):	12000T
------------	--------

Splitting force(two-stage pressurization)

旋转角度 rotation angle:	120°
----------------------	------

· 推进梁 Thrust bear

凿岩最大推进力:	40KN
----------	------

Maximum thrust force of rock drill

劈裂最大拉拔力:	80KN
----------	------

Maximum drawing force of splitting machine

· 空压机 Air compressor

排气量 Air displacement:	4.5m ³ /min
-----------------------	------------------------

排气压力 Discharge pressure:	5-8bar
--------------------------	--------

· 侧摆单元 Swing unit

侧摆力 Swing force:	80KN
------------------	------

侧摆速度 Swing speed:	1rpm
-------------------	------

· 遥控器 Remote control

有效范围 Effective range:	50m
-----------------------	-----

数字量点数 output points:	30
----------------------	----

模拟量路数 output channels:	14
------------------------	----

抗干扰能力(邻道抑制)	>50dB
-------------	-------

Anti-interference ability :

· 吸尘器 Vacuum cleaner

滤芯数量 Number of filters:	5P
-------------------------	----

· 整机参数 Overall specifications

总重量 Total weight:	4T
-------------------	----

总长 Overall length:	4200mm
--------------------	--------

总宽 Overall width:	1680mm
-------------------	--------

平量高度 Overall height:	1860mm
----------------------	--------

挖掘机要求 Excavator requirements:	25T-38T
-------------------------------	---------

